



# PUHY-P900YSHM-A

Standard Y Series 36hp Outdoor Unit

R410A Heat Pump

The City Multi Standard Y Series makes use of a two pipe refrigerant circuit throughout, with the choice of either Branch Pipe or Header Pipe feeds to indoor units, with manual changeover from cooling to heating to ensure that a constant indoor climate is maintained.

- **High Sensible Cooling Function – By raising off coil temperature, a 10% increase in sensible cooling capacity over standard operation is achievable, the result being greater comfort for occupants**
- **Refrigerant Volume Checking Function can indicate if a leakage has occurred by measuring various temperature and pressures around the system, allowing customers to easily comply with the F-Gas regulation**
- **Replace Technology Function allows the re-use of refrigerant piping, controllers, power and control wiring for all previously installed R22 and R407c Heat Recovery and Cooling Only systems**
- **Energy-saving 100% inverter driven outdoor compressor units with very low start currents**



Pictures not to scale



## Product Details

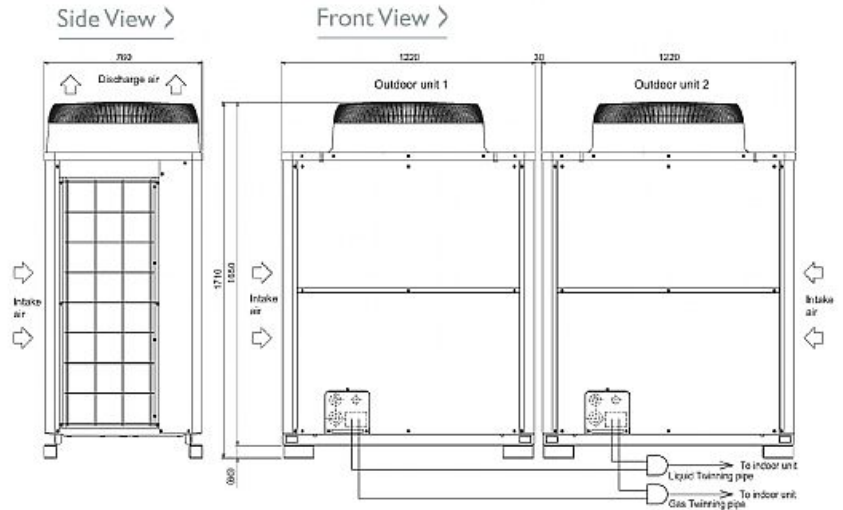
| PUHY-P900YSHM-A                     |                |
|-------------------------------------|----------------|
| Capacity (kW):                      |                |
| Heating (Nominal)                   | 113.0          |
| Cooling (Nominal)                   | 101.0          |
| Heating (UK)                        | 99.4           |
| Cooling (UK)                        | 92.9           |
| Power Input (kW) Heating (Nominal)  | 30.29          |
| Power Input (kW) Cooling (Nominal)  | 33.33          |
| Power Input (kW) Heating (UK)       | 27.87          |
| Power Input (kW) Cooling (UK)       | 22             |
| Max No. of Connectable Indoor Units | 50             |
| Airflow(m <sup>3</sup> /min)        | 225 /225       |
| Noise (dBA)                         | 64.5           |
| Width - mm                          | 1220 + 1220    |
| Depth - mm                          | 760            |
| Height - mm                         | 1710           |
| Weight - kg                         | 245 + 245      |
| Electrical Supply                   | 380-415v, 50Hz |
| Phase                               | 3              |
| Mains Cable No. Cores               | 4 + earth      |
| Starting Current (A)                | 8              |
| Running Current (A) - Heating       | 46.8           |
| Running Current (A) - Cooling       | 51.5           |

### Piping Restrictions

|   |      |
|---|------|
| Total Piping Length (m)                       | 1000 |
| Furthest Piping Length (m)                    | 165  |
| Furthest Piping Length after 1st Branch (m)   | 40   |
| Between Indoor and Outdoor Units - Height (m) | 50   |
| Between Indoor and Indoor Units - Height (m)  | 15   |

## Dimensions

PUHY-P900YSHM-A



**Telephone: 01707 282880**

Email: [air.conditioning@meuk.mee.com](mailto:air.conditioning@meuk.mee.com) Website: <http://www.mitsubishielectric.co.uk/aircon>

Mitsubishi Electric reserves the right to make any variation in technical specification to the equipment described, or to withdraw or replace products without prior notification or public announcement.

Tel:  
Fax:

